



ZHEJIANG SUNMIXER SANITARY WARE CO.,LTD.

Add:Science&Technology Industrial Zone,Chumen,Yuhuan,
Zhejiang, China 317605

Tel: +86-576-87121119 Fax: +86-576-87121319 Http://www.pre-rinse.com

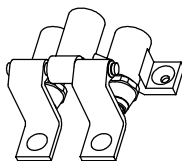
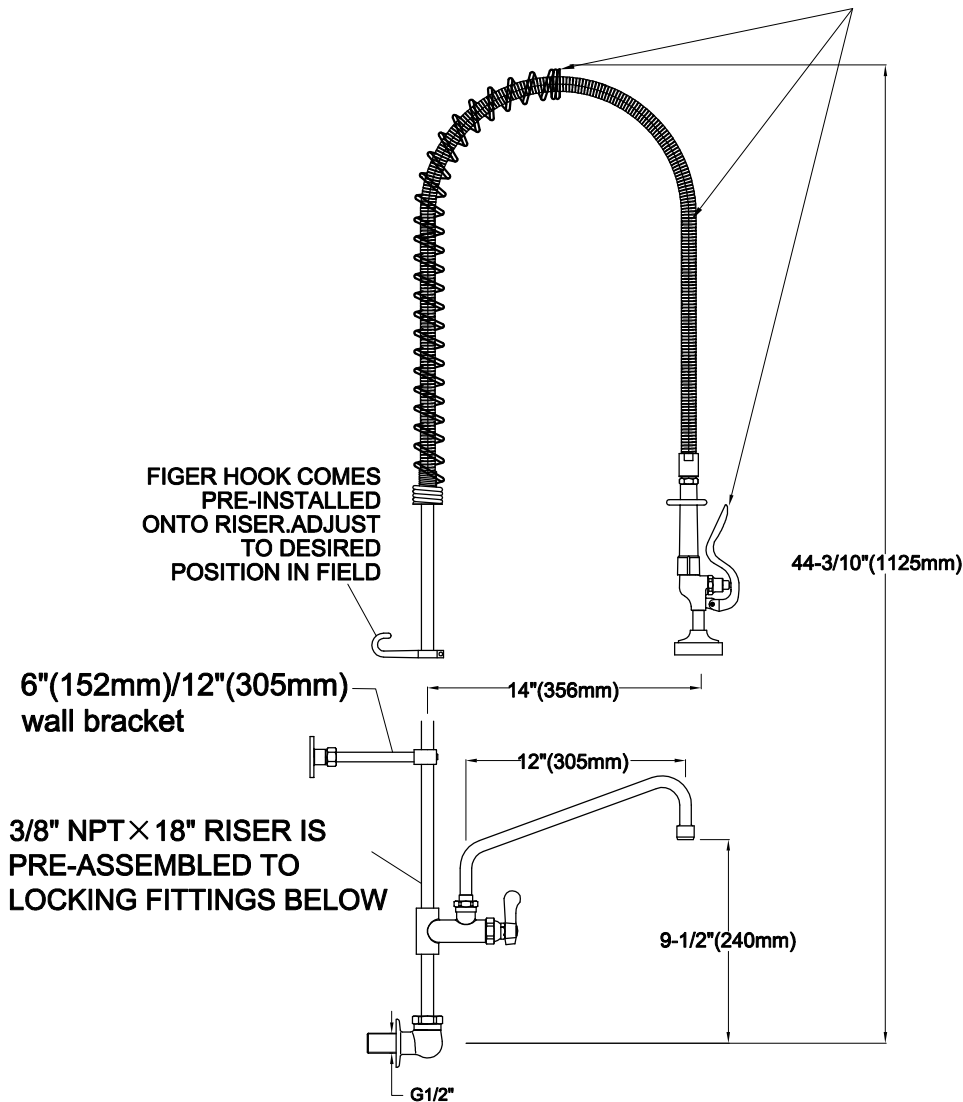
Model No.

98010AF-2

Item No.

-

**HOSE LENGTH:950mm
SPRING BODY,
OVERHESD SPRING &
SPRAYVALVE COME
PRE-SSEMBLED.**



FOOT VALVE Assembly,color-coded dual pedals,self closing valves,for use with spout bases.Two 1/2"NPT female iniets and one 1/2"NPT female outlets.Rough chrome valve body with polished chrome foot pedal.