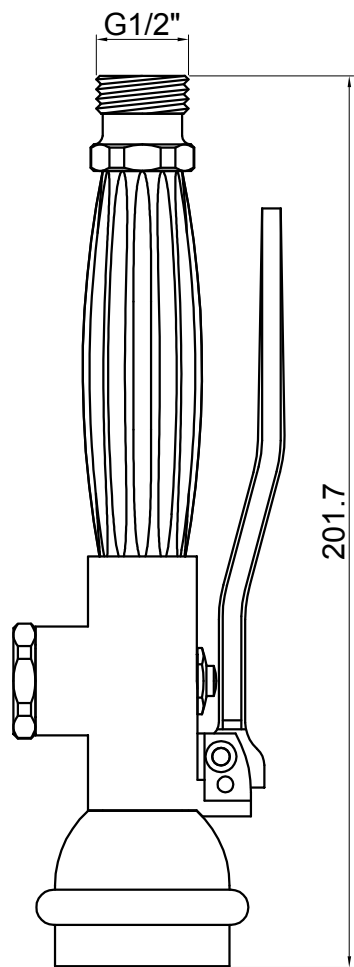


|           |        |
|-----------|--------|
| Model No. | 581017 |
| Item No.  | -      |



Products Specifications:

-

|        |          |           |
|--------|----------|-----------|
| Drawn: | Checked: | Approved: |
| -      | -        | -         |
| Scale: | Date:    |           |
| -      | -        |           |